



iWISEBus

Models:

iWISE 815DTBG2

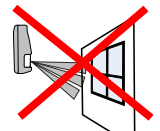
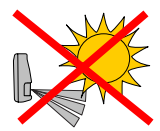
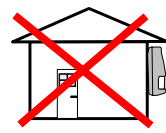
iWISE 825DTBG2

**DT 15m/50ft
& 25m/82ft**

**PD6662, EN50131-1,
EN50131-2-4 Grade 2,
Class II**



www.riscogroup.com
www.riscogroup.co.uk
www.riscogroup.fr
www.riscogroup.it
www.riscogroup.es
www.riscogroup.com/por



EN The iWISE 815DTBG2/825DTBG2 detector is a motion detector designed for installation as an addressable detector on the ProSYS BUS and includes an extra relay zone input.

Main Features

- Dual MW and PIR technologies
- Anti-Cloak Technology (ACT™)
- GreenLine for disabling the MW during disarm
- Cover tamper
- Corridor and Curtain lenses (optional)
- Remote Control & Diagnostics
- 15m or 25m models (50' or 82')

IT Il rivelatore iWISE 815DTBG2/825DTBG2 è un rivelatore di movimento progettato per essere installato come un rivelatore indirizzato sul BUS della centrale ProSYS ed include un ingresso di zona aggiuntivo.

Caratteristiche Principali

- Tecnologia a microonde (MW) e infrarosso passivo (PIR)
- Tecnologia Anti-Cloak (ACT™)
- Funzione "Green Line" per disabilitare le emissioni della sezione microonda a sistema disinserito
- Tamper Antiapertura
- Lenti a Tenda e Corridoio (opzionali)
- Diagnostica e Controllo Remoto
- Modelli da 15m o 25m

SP El detector iWISE 815DTBG2/825DTBG2 es un detector de movimiento diseñado para instalarse como un detector direccionable en el BUS de la ProSYS, e incluye una entrada adicional de zona (permite conectar al BUS otro dispositivo estándar cableado con salida de relé).

Características Principales

- Doble tecnología MW y PIR
- Tecnología Anti-Cloak (ACT™) para detectar intrusos camuflados
- GreenLine para deshabilitar el MW cuando el sistema esté desarmado
- Tamper de tapa
- Lente de Pasillo y Cortina (opcionales)
- Control y Diagnósticos Remotos
- Modelos de 15m ó 25m (50' ó 82')

FR Le détecteur iWISE 815DTBG2/825DTBG2 est un détecteur de mouvement conçu pour être installé comme détecteur adressable sur le Bus de la ProSYS et qui inclut une entrée zone supplémentaire.

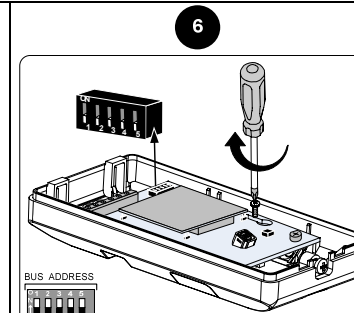
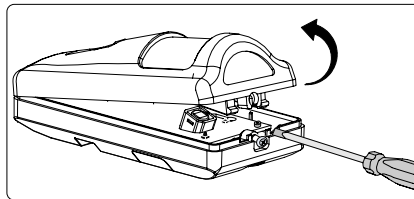
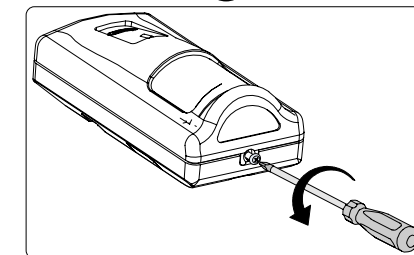
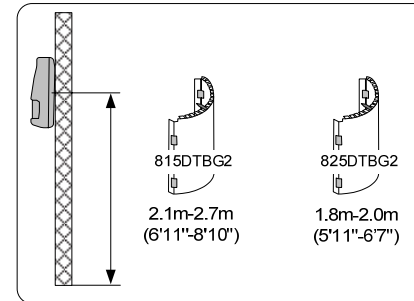
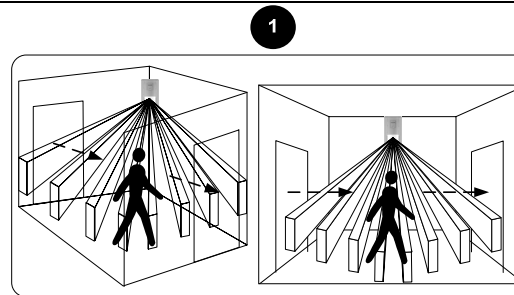
Fonctionnalités Principales

- Double technologies HF et IRP
- Technologie Anti-Camouflage (ACT™)
- Technologie GreenLine, pour désactiver l'HF quand le système est désarmé
- Autoprotection à l'ouverture
- Lentilles longue portée et rideau (option)
- Contrôle et diagnostics à distance
- Modèles 15m ou 25m

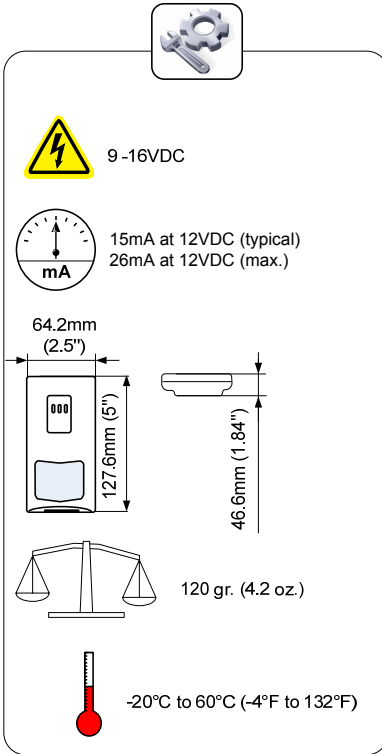
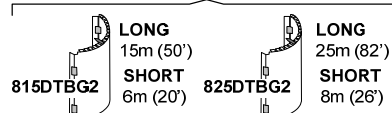
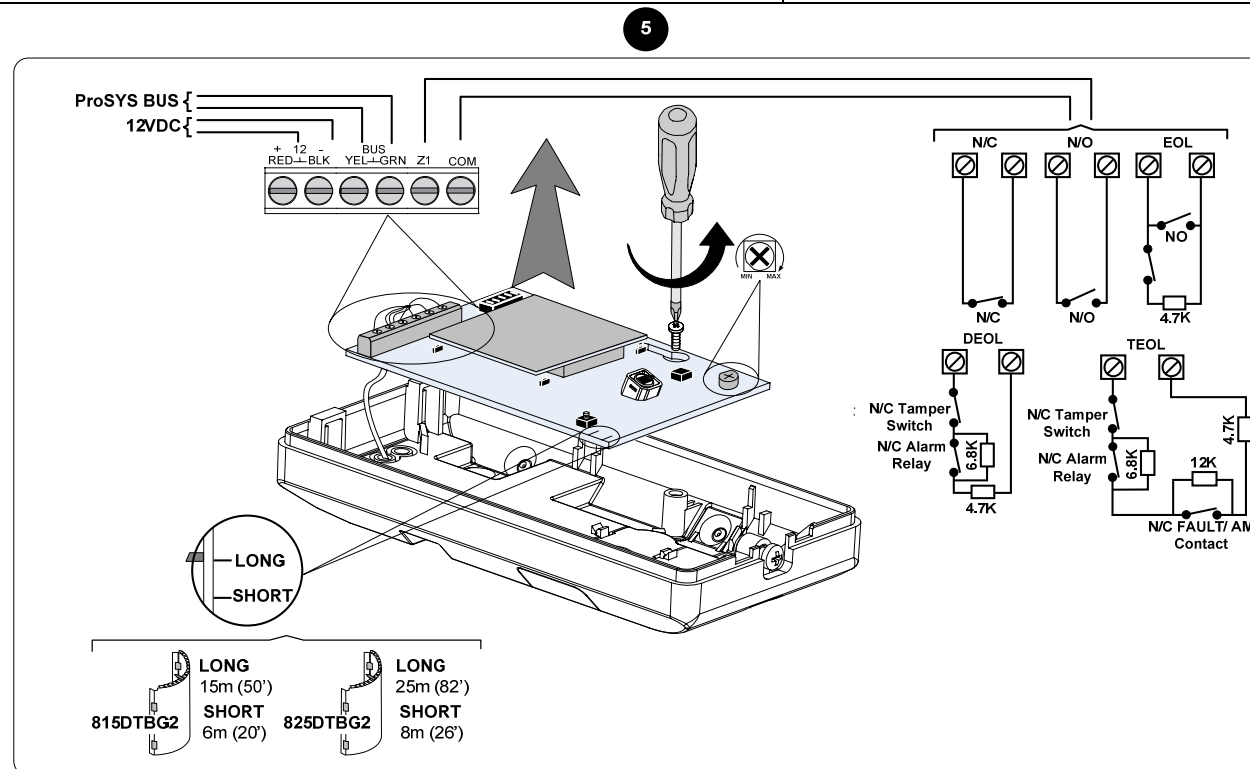
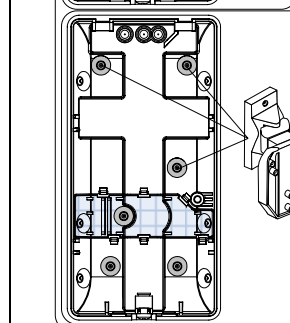
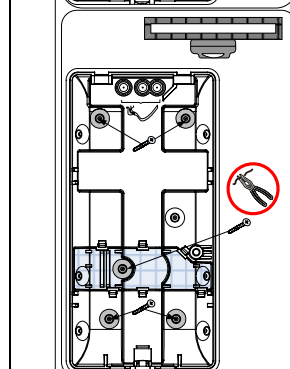
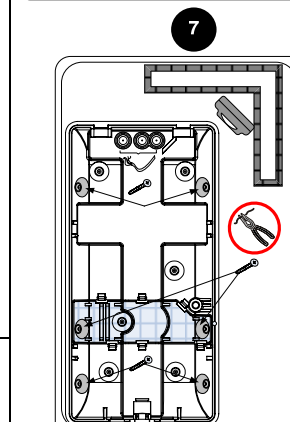
PR O detector iWISE 815DTBG2/825DTBG2 é um detector desenvolvido para instalações como um detector endereçável no BUS da ProSYS, e inclui uma entrada extra de zona relé (Similar a um expansor).

Principais Características

- Dupla Tecnologia, microondas e Infravermelho Passivo.
- Tecnologia Anti-Camufagem (ACT™)
- Tecnologia GreenLine para desabilitar o Microondas enquanto o sistema estiver desarmado
- Tamper da Tampa
- Lente de corredor e de cortina (Opcional)
- Controle e diagnóstico Remoto
- Modelo de 15m ou 25m (50' ou 82')



ID	1	2	3	4	5
01	OFF	OFF	OFF	OFF	OFF
02	ON	OFF	OFF	OFF	OFF
03	OFF	ON	OFF	OFF	OFF
04	ON	ON	OFF	OFF	OFF
05	OFF	OFF	ON	OFF	OFF
06	ON	OFF	ON	OFF	OFF
07	OFF	ON	ON	OFF	OFF
08	ON	ON	ON	OFF	OFF
09	OFF	OFF	OFF	ON	OFF
10	ON	OFF	OFF	ON	OFF
11	OFF	ON	OFF	ON	OFF
12	ON	ON	ON	ON	OFF
13	OFF	OFF	ON	ON	OFF
14	ON	OFF	ON	ON	OFF
15	OFF	ON	ON	ON	OFF
16	ON	ON	ON	ON	OFF
17	OFF	OFF	OFF	OFF	ON
18	ON	OFF	OFF	OFF	ON
19	OFF	ON	OFF	OFF	ON
20	ON	ON	OFF	OFF	ON
21	OFF	OFF	ON	OFF	ON
22	ON	OFF	ON	OFF	ON
23	OFF	ON	ON	OFF	ON
24	ON	ON	ON	OFF	ON
25	OFF	OFF	OFF	ON	ON
26	ON	OFF	OFF	ON	ON
27	OFF	ON	OFF	ON	ON
28	ON	ON	OFF	ON	ON
29	OFF	OFF	ON	ON	ON
30	ON	OFF	ON	ON	ON
31	OFF	ON	ON	ON	ON
32	ON	ON	ON	ON	ON



EN LED Display

LED	State	Description
Yellow	On	PIR detection
	Flashing	Trouble in PIR channel
Green	On	MW detection
	Flashing	Trouble in MW channel
Red	On	ALARM
	Flashing	Communication trouble
All LEDs (consecutively)	Flashing	At power-up, the LEDs will flash consecutively until the end of the warm-up period (2-3 minutes).

IT Indicatori LED

LED	Stato	Descrizione
Giallo	Illuminato	Rilevazione del canale all'infrarosso passivo (PIR)
	Lampeggiante	Anomalia del canale PIR
Verde	Illuminato	Rilevazione del canale a microonda (MW)
	Lampeggiante	Anomalia del canale MW
Rosso	Illuminato	ALLARME
	Lampeggiante	Problema di comunicazione
Tutti i LED (consecutivamente)	Lampeggiante	All'alimentazione tutti i LED lampeggiano in sequenza fino alla fine del periodo di preriscaldamento (2-3 minuti).

SP Indicación de los LEDs

LED	Estado	Descripción
Amarillo	Encendido	Detección PIR
	Parpadeando	Problema en el canal PIR
Verde	Encendido	Detección MW
	Parpadeando	Problema en el canal MW
Rojo	Encendido	Indicación de ALARMA
	Parpadeando	Problema de comunicación
Todos los LEDs	Parpadeando (consecutivamente)	Al dar alimentación, los LEDs parpadearán consecutivamente hasta que finalice el periodo de calentamiento (2-3 minutos).

FR Affichage à diodes LED

LED	Position	Signification
Jaune	Allumée (ON)	Détection IRP
	Clignotante	Panne de canal IRP
Verte	Allumée (ON)	Détection HF (HyperFréquence)
	Clignotante	Panne de canal HF
Rouge	Allumée (ON)	Indique une ALARME
	Clignotante	Problème de communication
Toutes diodes LED	Clignotante (l'une après l'autre)	Lors de la mise sous tension, les diodes LED clignotent de manière ininterrompue, l'une après l'autre, jusqu'à la fin de la séquence d'initialisation (2 à 3 minutes).

PR Visualização dos LEDs

LED	Estado	Descrição
Amarelo	Aceso	Deteção de Infravelmento Passivo
	Piscado	Problema no canal Infravelmento Passivo
Verde	Aceso	Deteção no Microondas
	Piscado	Problema no canal Microondas
Rojo	Aceso	ALARME
	Piscado	Problema de comunicação
Todos los LEDs	Piscado (sucessivamente)	Ao conectar, os LEDs piscarão consecutivamente até o final do período de aquecimento (2-3 minutos).

EN ProSYS Programming (Ver 7.xx and above):

- Add/delete an iWISE BUS detector**
 - Installer menu [7] Accessories / Install > [1] Add Delete Module > [9] More.. > [5] BUS Zone.
 - Select ID (as defined by the Dip switches) and define type as iDTG2.
- Assign the iWISE BUS detector to a Zone**
 - Installer menu [2] Zones > [1] One by One > Select Zone.
 - Under Termination select > [5] BUS Zone.
 - Select the BUS zone number to assign to the programmed zone.
- Program the zone input on the iWISE BUS**
 - Installer menu [2] Zones > [1] One by One > Select Zone.
 - Under Termination select from options [07] to [11].
 - Press [#]. Select the BUS zone that the input zone belongs to.
- Configure the iWISE BUS detector parameters (see table below).**
 - Installer menu select [2] Zones > [0] Miscellaneous > [3] BUS Zone Parameters

Parameter	Description
LEDs	Determines the operation of the detector's LEDs.
MW Sensitivity	Defines the microwave channel range. 1) Minimum 3) 50% 5) 85% 7) Trimmer 2) 25% 4) 65% 6) Maximum
ACT	Defines the Anti-Cloak™ Technology (ACT) operation mode.
Automatic Microwave Bypass	Defines if the detector operates in PIR only mode in case of MW trouble.
Green Line	A feature that follows environmental guidelines by avoiding surplus emission. This feature defines the activation of the microwave channel while the system is disarmed.
Self Test	Used to test the detection technologies. In the event of a failed test, a Self Test Trouble is created.

IT Programmazione ProSYS (Versione 7.xx e successive):

- Aggiungi/cancella un rivelatore BUS iWISE**
 - Menù Tecnico [7] Accessori > [1] Agg./Canc.Modulo > [9] Continua.. > [5] Zona BUS.
 - Selezionare il numero ID (come impostato dai microinteruttori) e definire il tipo come iDTG2.
- Assegnazione del rivelatore BUS iWISE ad una Zona**
 - Menù Tecnico [2] Zone > [1] Una per Una > Selezionare il numero di zona.
 - Raggiunta l'opzione Terminazione selezionare > [5] Zona BUS.
 - Selezionare il numero ID della zona BUS da assegnare alla zona che si sta programmando
- Programmazione dell'ingresso di zona aggiuntivo sul rivelatore BUS iWISE**
 - Menù Tecnico [2] Zone > [1] Una per Una > Selezionare il numero di zona.
 - Raggiunta l'opzione Terminazione selezionare una delle opzioni da [07] a [11].
 - Premere [#]. Selezionare il numero ID della zona BUS che fa riferimento all'ingresso di zona che si sta programmando.
- Configurazione dei parametri del rivelatore BUS iWISE (vedi tabella)**
 - Nel Menù Tecnico selezionare [2] Zone > [0] Varie > [3] Parametri Zone BUS.

Parametro	Descrizione
LED	Determina il modo di funzionamento dei LED
Portata Microonda	Determina la regolazione della portata del canale MW 1) Minima 3) 50% 5) 85% 7) Trimmer 2) 25% 4) 65% 6) Massima
ACT	Definisce il modo di funzionamento della Tecnologia Anti-Cloak™ (ACT)
Auto Esclusione Microonda (MW)	Stabilisce se il canale a microonda deve essere disabilitato automaticamente se il rivelatore verifica un'anomalia di funzionamento sullo stesso.
Green Line	La funzione Green Line evita emissioni radio superflue nell'ambiente quando i locali sono occupati. Questa funzione permette la disabilitazione del canale microonda quando il sistema è disinserito.
Auto Test	Utilizzata per testare le tecnologie di rilevazione. Nel caso il test non vada a buon fine, verrà registrato in centrale un evento di Auto test fallito.

SP Programación ProSYS (Ver 7.xx y superior):

- Añadir/Borrar un detector iWISE BUS**
 - Menú Instalador > [7] Accesorios > [1] Agregar/Borrar Módulo > [9] Más... > [5] Zonas BUS
 - Selecione el ID (según se haya definido con los microinterruptores DIP) y defina el tipo como iDTG2.
- Asignar el detector iWISE BUS a una Zona**
 - Menú Instalador > [2] Zonas > [1] Una a Una > Seleccione la Zona
 - En el apartado Terminación, seleccione la opción [05] Zona BUS.
 - Selecione el ID del detector BUS que se va a asignar a la zona programada.
- Programar la entrada de zona adicional del iWISE BUS**
 - Menú Instalador > [2] Zonas > [1] Una a Una > Seleccione la Zona.
 - En el apartado Terminación, seleccione una de las opciones de la [07] a la [11].
 - Presione [#]. Seleccione el ID del detector BUS al que pertenece la entrada de zona.
- Configuración de los parámetros del detector iWISE BUS (ver tabla).**
 - Menú Instalador > [2] Zonas > [0] Varios > [3] Parámetros Zona BUS.

Opción de programación	Descripción
LEDs	Define el modo de funcionamiento de los LEDs
Alcance del Microondas	Define el alcance del canal microondas 1) Mínimo 3) 50% 5) 85% 7) Potenciometro 2) 25% 4) 65% 6) Máximo
ACT	Define el modo de funcionamiento de la tecnología Anti-Cloak™ (ACT).
Anulación Automática del Microondas	Define si el detector funcionará sólo en modo PIR en caso de fallo del MW.
Green Line	Característica que sigue las directrices medioambientales, evitando emisiones superfluas. Esta característica define si se activará el canal microondas mientras el sistema está desarmado.
Auto Test	Utilizado para probar las tecnologías de detección. Cuando un test falle, se generará un Problema de Fallo de Test.

FR Programmation ProSYS (Ver 7.xx et supérieure) :

- Ajouter/Supprimer un détecteur iWISE BUS**
 - Menu Installateur > [7] Accessoires > [1] Ajout/Suppression Module > [9] Plus... > [5] BUS Zones.
 - Sélectionner l'ID (comme défini par les Dip switches) et définir le type sur iDTG2
- Assigner le détecteur iWISE BUS à une zone**
 - Menu Installateur > [2] Programmation Zones > [1] Une par Une > Sélectionner la zone.
 - Dans la section Nature, sélectionner > [5] Zone-BUS.
 - Sélectionner le numéro ID de zone BUS à assigner à la zone programmée.
- Programmer l'entrée zone supplémentaire de l'iWISE BUS**
 - Menu Installateur > [2] Programmation Zones > [1] Une par Une > Sélectionner la zone
 - Dans la section Nature, sélectionner de l'option [07] à l'option [11].
 - Valider par [#]. Sélectionner la zone BUS pour laquelle l'entrée zone supplémentaire est paramétrée.
- Configurer les paramètres du détecteur iWISE BUS (voir tableau)**
 - Menu Installateur > [2] Programmation Zones > [0] Divers > [3] BUS-Zone Paramètres.

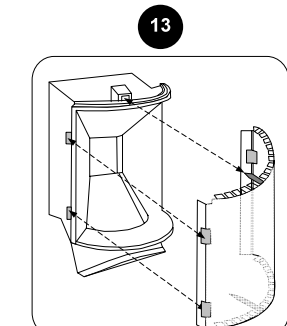
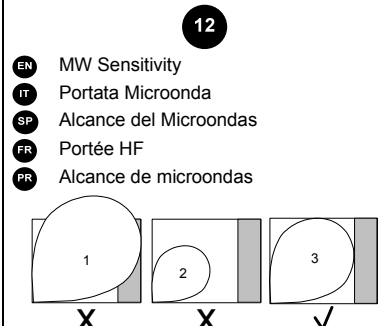
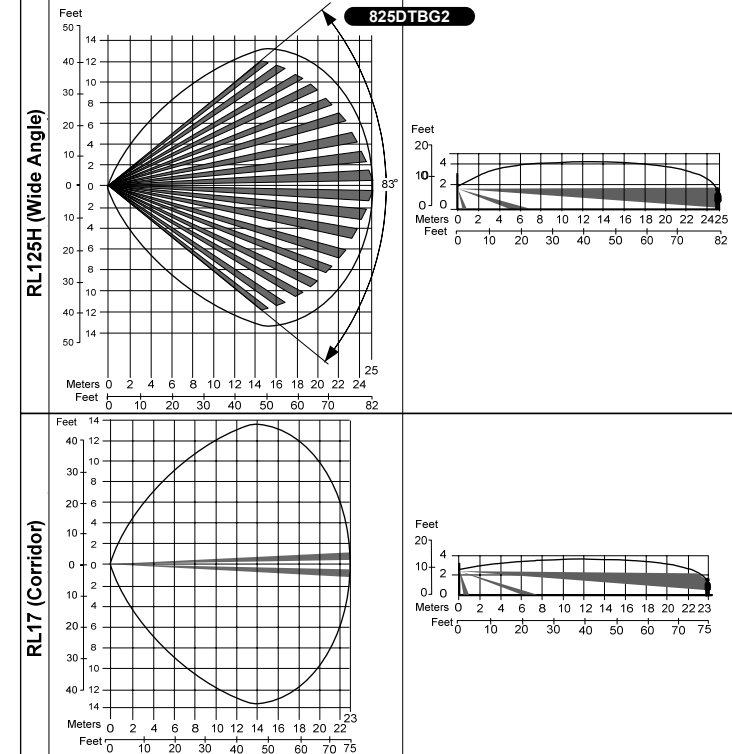
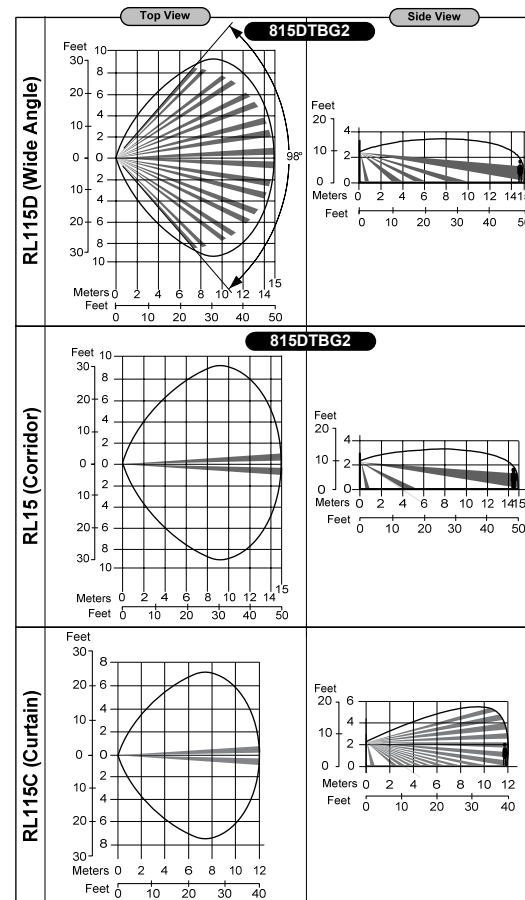
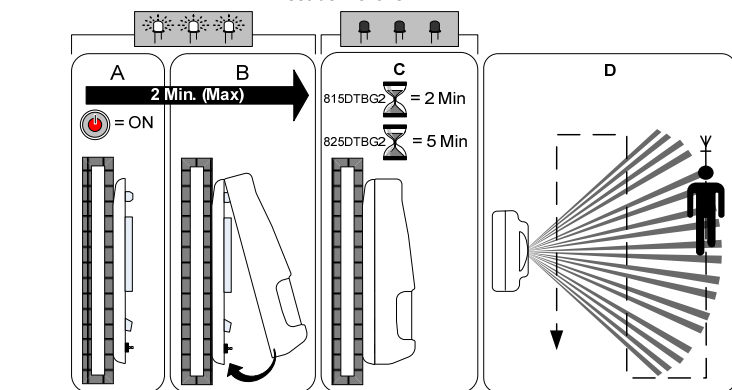
Option de programmation	Description
LEDs	Définit le mode de fonctionnement des LEDs.
MW Range (Portée HF)	Définit la portée du canal HyperFréquence. 1) Minimum 3) 50% 5) 85% 7) Potentiomètre 2) 25% 4) 65% 6) Maximum
Technologie ACT	Définit le mode de fonctionnement de la technologie Anti-Cloak™ (ACT – Anti-Camouflage).
Isolation MW (HF) Automatique	Définit si le détecteur fonctionnera en mode IRP seul dans le cas où il y aurait un défaut HF.
Isolation MW (HF) @ OFF (Désarmement) → GreenLine	Le GreenLine est une fonctionnalité qui suit les directives environnementales en supprimant le surplus d'émission. Cette fonctionnalité définit si le canal HF sera actif quand le système est désarmé.
Self Test (Auto Test)	Utilisé pour tester les technologies de détection. Si le test échoue, un Défaut Auto-test est créé.

PR Programação da ProSYS (Ver 7.xx ou posterior):

- Adicionar/Apagar um detector iWISE BUS**
 - Menu do instalador [7] Acessórios > [1] Adicionar / Apagar módulo > [9] Mais.. > [5] Zonas de BUS.
 - Selecionar ID (como definido nos Dipswitches) e definir como o tipo iDTG2.
- Alocar o iWISE BUS à uma zona**
 - Menu do Instalador [2] Zonas > [1] Uma a Uma > Selecionar Zona.
 - No menu de Terminação seleccione > [5] Zona de BUS.
 - Seleccione o número da zona de BUS para alocar a zona programada.
- Programação da entrada de zona do iWISE BUS**
 - Menu do instalador [2] Zonas > [1] Uma a uma > Selecionar Zona.
 - No menu de terminação escolha uma das opções de [07] até [11].
 - Apertar [#]. Escolher a zona de BUS que a entrada de zona pertence.
- Configurar os parâmetros do detector iWISE BUS (Veja tabela)**
 - Selecionar o menu do instalador [2] Zonas > [0] Diversos > [3] Parâmetros de Zonas de BUS.

Opções de Programação	Descrição
LEDs	Habilita/desabilita a operação dos LED's
Alcance de microondas	Ajusta o alcance do canal de Microondas 1) Mínimo 3) 50% 5) 85% 7) Trimmer 2) 25% 4) 65% 6) Máximo
ACT	Habilita/desabilita o modo de operação da tecnologia anti-camufagem (ACT™).
Inibição automática do canal de Microondas	Define se o detector irá operar no modo de Apenas Infravermelho Passivo em caso de problemas do Microondas.
Green Line	Uma característica que segue as diretrizes ambientais, evitando excesso de emissão. Essa característica desabilita a emissão de microondas enquanto o sistema estiver desarmado.
Auto Teste	Usado para testar as tecnologias de detecção. Quando existe um evento de falha de teste, um evento de teste é criado.

- EN** Walk Test **SP** Prueba de detección **FR** Prova de Movimento
IT Test Sensore **FR** Test de marche



FCC Compliance Section (US version):

FCC Part 15 Note:
This equipment has been tested and found to comply with the limits for a Class B digital device, pursuant to Part 15 of the FCC rules. These limits are designed to provide reasonable protection against harmful interference in a residential installation. This equipment generates, uses and can radiate radio frequency energy and, if not installed and used in accordance with the instructions, may cause harmful interference to radio communications. However, there is no guarantee that interference will not occur in a particular installation. If this equipment does cause harmful interference to radio or television reception, which can be determined by turning the equipment off and on, the user is encouraged to try to correct the interference by one or more of the following measures:

- Reorient or relocate the receiving antenna.
- Increase the separation between the equipment and receiver.
- Connect the equipment to an outlet on a circuit different from that to which the receiver is connected.
- Consult the dealer or an experienced radio/TV technician.

FCC Warning:
The manufacturer is not responsible for any radio or TV interference caused by unauthorized modifications to this equipment. Such modifications could void the user's authority to operate the equipment.

US Patent Number:
This product is protected under Patent No. US 7,126,476 B2. Other patents pending.

CE Compliance Section (European and German versions):
Risco Ltd. hereby declares that this equipment is in compliance with the essential requirements and other relevant provisions of Directive 1999/5/EC. For the CE Declaration of Conformity please refer to our website: www.riscogroup.com

Applicable countries (European versions):

AT	BE	CY	CZ	DK
EE	FI	FR	DE	GR
HU	IE	IT	LV	LT
LU	MT	NL	PL	PT
SE	SL	ES	SK	GB
BG	RO	TR	CH	NO

iWISE 815DTBG2/825DTBG2 applicable countries (German Version):
AT, CZ, SL, DE, TR, RO, EE

RISCO Group Limited Warranty
RISCO Group and its subsidiaries and affiliates ("Seller") warrants its products to be free from defects in materials and workmanship under normal use for 24 months from the date of production. Because Seller does not install or connect the product and because the product may be used in conjunction with products not manufactured by the Seller, Seller cannot guarantee the performance of the security system which uses this product. Seller's obligation and liability under this warranty is expressly limited to repairing and replacing, at Seller's option, within a reasonable time after the date of delivery, any product not meeting the specifications. Seller makes no other warranty, expressed or implied, and makes no warranty of merchantability or of fitness for any particular purpose. In no case shall seller be liable for any consequential or incidental damages for breach of this or any other warranty, expressed or implied, or upon any other basis of liability whatsoever. Seller's obligation under this warranty shall not include any transportation charges or costs of installation or any liability for direct, indirect, or consequential damages or delay. Seller does not represent that its product may not be compromised or circumvented; that the product will prevent any personal injury or property loss by burglary, robbery, fire or otherwise; or that the product will in all cases provide adequate warning or protection. Buyer understands that a properly installed and maintained alarm may only reduce the risk of burglary, robbery or fire without warning, but is not insurance or a guaranty that such event will not occur or that there will be no personal injury or property loss as a result thereof. Consequently seller shall have no liability for any personal injury, property damage or loss based on a claim that the product fails to give warning. However, if seller is held liable, whether directly or indirectly, for any loss or damage arising under this limited warranty or otherwise, regardless of cause or origin, seller's maximum liability shall not exceed the purchase price of the product, which shall be complete and exclusive remedy against seller. No employee or representative of Seller is authorized to change this warranty in any way or grant any other warranty. **WARNING:** This product should be tested at least once a week.

Contacting RISCO Group
RISCO Group is committed to customer service and product support. You can contact us through our website www.riscogroup.com or as follows:

United Kingdom Tel:+44-161-655-5500 technical@riscogroup.co.uk support@riscogroup.co.uk	USA Te: +1-631-719-4400 support-usa@riscogroup.com
Italy Tel: +39-02-66590054 support@riscogroup.it	Brazil Te: +1-866-969-5111 support-br@riscogroup.com
Spain Tel:+34-91-490-2133 support-es@riscogroup.com	China Tel: +86-21-52-39-0066 support-cn@riscogroup.com
France Tel: +33-164-73-28-50 support-fr@riscogroup.com	Poland Tel: +48-22-500-28-40 support-pl@riscogroup.com
Belgium Tel: +32-2522 7622 support-be@riscogroup.com	Israel Tel: +972-3963-7777 support@riscogroup.com

All rights reserved. No part of this document may be reproduced in any form without prior written permission from the publisher