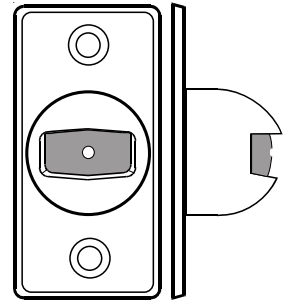


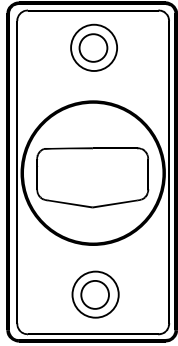
B335 Swivel Mount Bracket Installation Instructions



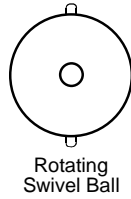
1.0 Description

The B335 Swivel Mount Bracket is a mounting bracket designed for use with several product series from Bosch Security Systems, Inc. It provides $+10^\circ$ to -20° vertical and $\pm 25^\circ$ horizontal pointability. This bracket is intended to be surface mounted on a wall. **The B335 is not recommended for pet applications.**

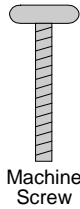
Your kit includes:



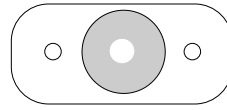
B335 Swivel Mount
Bracket Base



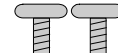
Rotating
Swivel Ball



Machine
Screw



Adapter Plate



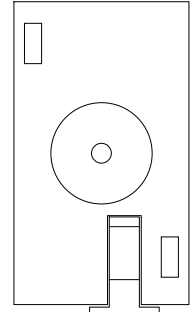
Adapter Plate Screws



Overlapping
Tooth Washer



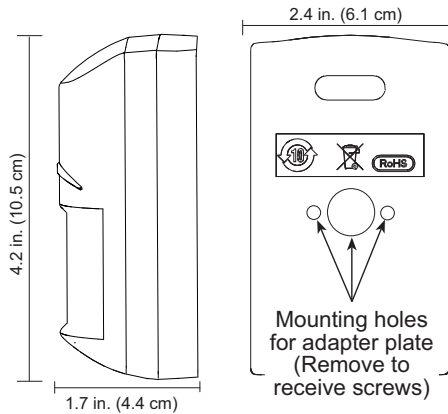
One-Way Sheet Metal Screws
(tamper proof)



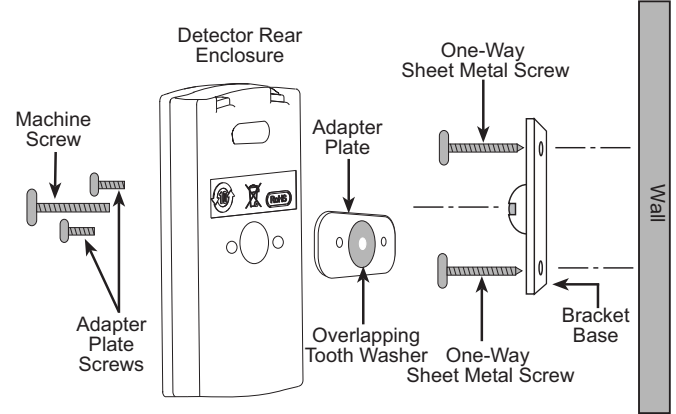
Adapter Plate

Not all parts will be used in every application.

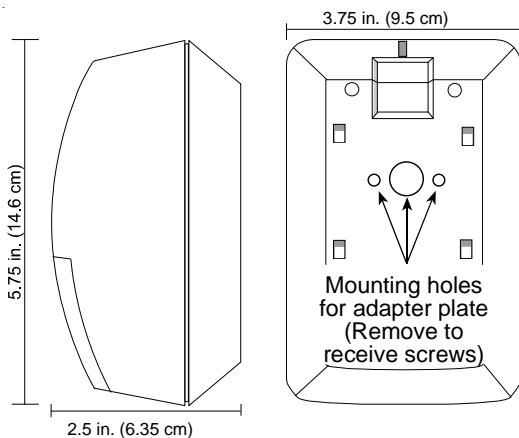
If unit has these dimensions and features:



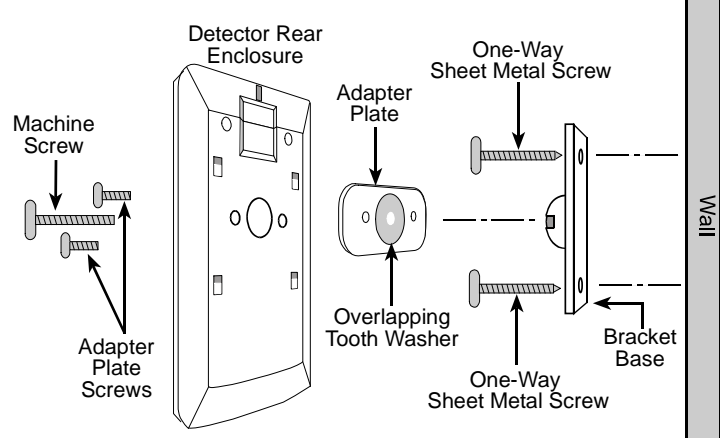
Then mount as follows:



If unit has these dimensions and features:

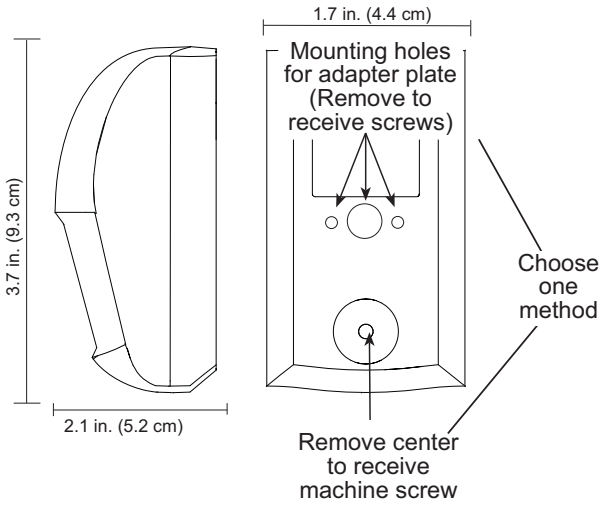


Then mount as follows:

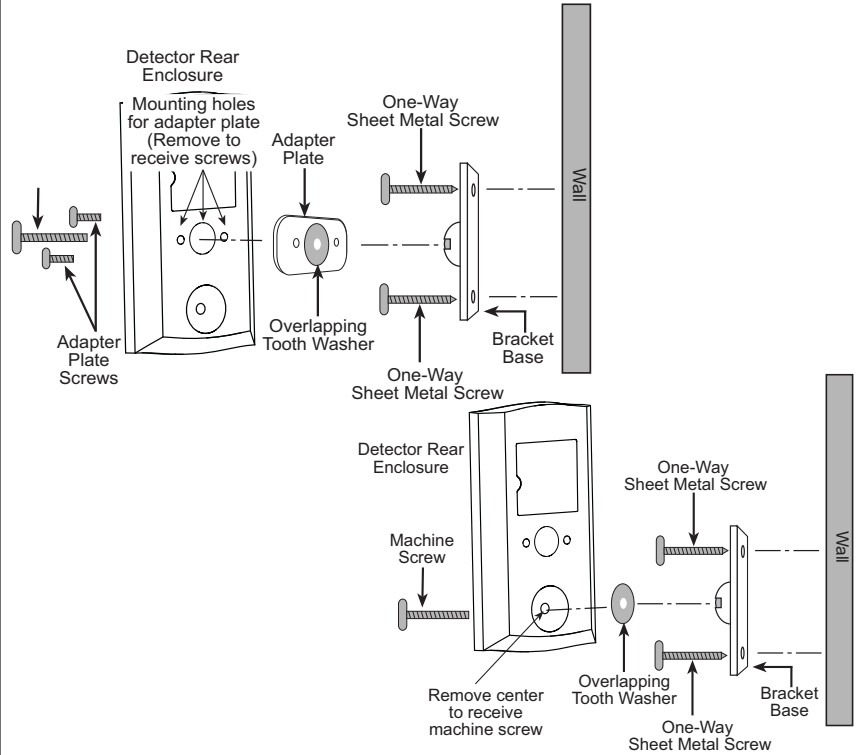


BOSCH

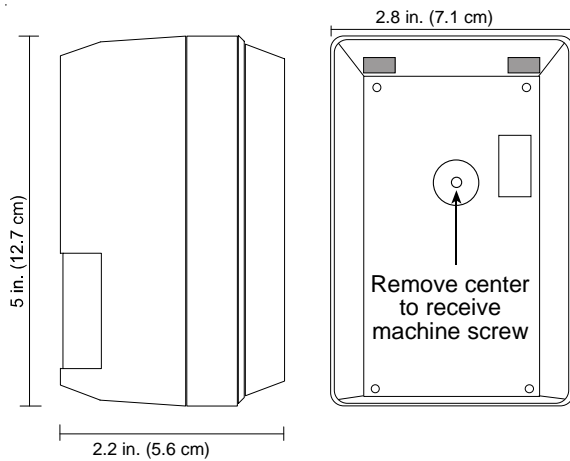
If unit has these dimensions and features:



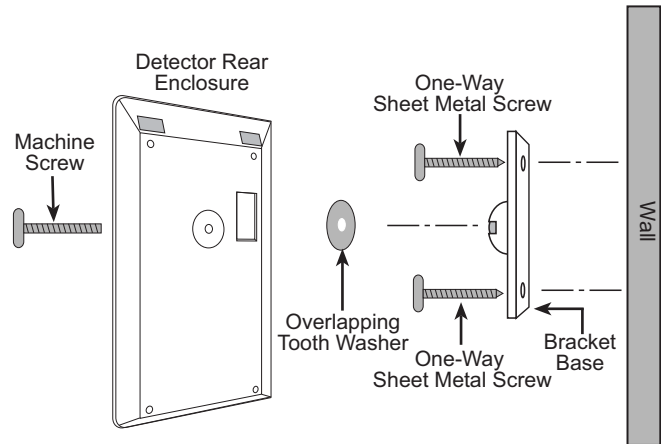
Then mount as follows (choose one method):



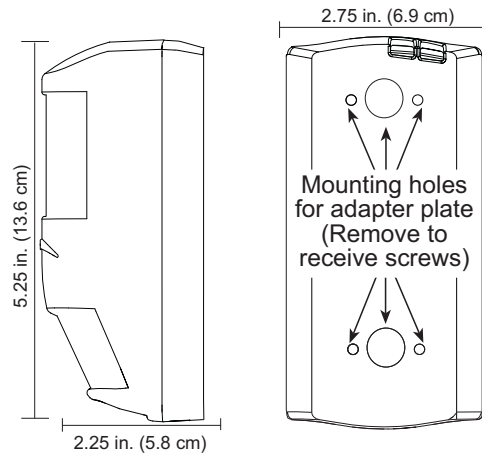
If unit has these dimensions and features:



Then mount as follows:



If unit has these dimensions and features:



Then mount as follows:

